

## Type 12DDG/15DDG Direct Drive Gauges



### FEATURES

- Sealed stainless steel case provides a weatherproof, dustproof corrosion-resistant gauge
- Spiral tube transmits motion directly to the pointer – no gears or bearings to wear out
- High impact-resistant polycarbonate window
- UL 404 listed for compressed gas (including oxygen) for 1500 psi, 2000 psi, 3000 psi and 4000 psi

Ashcroft® direct drive pressure gauges are ideally suited for applications that demand reliability under rugged operating conditions. The heart of the design is a spiral bourdon tube of Beryllium Copper – long recognized as a superior spring material. The spiral tube transmits motion directly to the pointer. There are no gears or bearings to wear out!

These Ashcroft pressure gauges are constructed with a stainless steel case and an impact resistant polycarbonate window to endure applications that require a weather-tight, dustproof and corrosion resistant enclosure. Stringent process controls assure conformance to the most demanding customer quality expectations.

Choosing Ashcroft direct drive pressure gauges for your application is the right quality choice!

### COMMONLY USED ON

*Pumps, air compressors, portable tire inflators, portable oxygen equipment, self-contained breathing apparatus, portable industrial gas cylinders, a variety of other applications*

### HOW TO ORDER

Dial Size: 1½" \_\_\_\_\_ 15 DDG 01B XUL 3000#  
 Case Type Number: DDG \_\_\_\_\_  
 Connection Size/Location: ¼ NPT Back \_\_\_\_\_  
 Options: XUL for UL 404 Listing \_\_\_\_\_  
 Range: 0/3000 psi \_\_\_\_\_

### PRODUCT SPECIFICATIONS

**Ashcroft® Model No.:** 12DDG, 15DDG

**Sizes:** 1¼" (12DDG), 1½" (15DDG)

**Case:** Stainless steel, sealed

**Ring:** None

**Window:** High impact-resistant polycarbonate

**Dial:** Black figures on white background

**Pointer:** Integral with Bourdon tube, black

**Bourdon Tube:** Beryllium copper, spiral; soft soldered to socket

**Movement:** None (direct reading)

**Socket:** Brass

**Restrictor:** Safety plug in 1500 psi — 4000 psi ranges

**Connection:** ½ NPT back

### Ranges:

Available Ranges (psi)	Dial Arc			
	165°	180°	200°	235°
0/60		•		
0/100*				•
0/160				•
0/200				•
0/300				•
0/700			•	
0/1200		•		
0/1500	•			
0/2000	•			
0/3000	•			
0/4000	•			

\*12DDG available in 180° arc

**Repeatability:** Better than 1%

**Accuracy:** Standard – 2% at setpoint (setpoint is normally 50% of range; other setpoints upon application)  
 UL Listed – 3.5% of span in middle three-fifths of scale

**Operating Temperature:** –40°F to 150°F

–40°C to 65°C

### OPTIONAL FEATURES

**Tube:** Silicone dampened tube (for vibration)  
 Silicone filled tube (for corrosion protection)

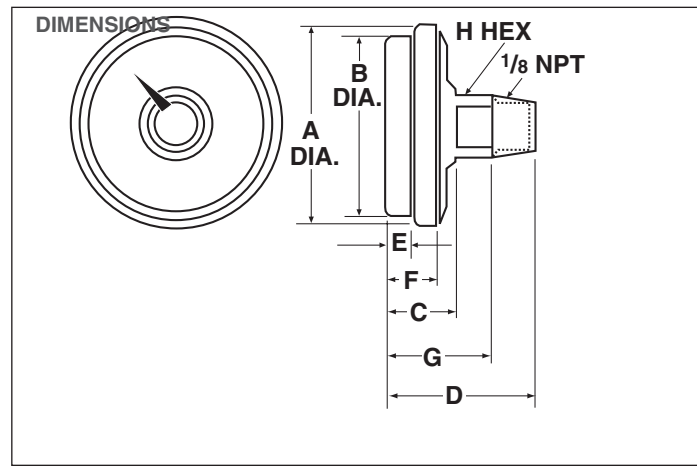
**Socket:** ¼ NPT  
 Throttle Plugs, 0.007", 0.013", 0.020", 0.031", 0.063" orifices  
 Non-standard configuration

**Dials:** Customized

**Other:** UL 404 Listed 1500 psi, 2000 psi, 3000 psi, 4000 psi, including oxygen

**Note:** Consult factory for high cycle life applications.

## Type 12DDG/15DDG Direct Drive Gauges



MODEL NO. inches (mm)	A	B	C	D		E	F	G	H		J	WEIGHT oz / kg
				1/4 NPT	1/8 NPT				1/4 NPT	1/8 NPT		
<b>12DDG</b>	1.45 (37)	1.25 (32)	0.5 (13)	1.25 (32)	1.06 (27)	0.20 (5)	0.40 (10)	0.71 (18)	9/16 (14)	7/16 (11)	0.43 (11)	0.705 oz 0.020 kg
<b>15DDG</b>	1.68 (43)	1.48 (37)	0.5 (13)	1.25 (32)	1.06 (27)	0.20 (5)	0.40 (10)	0.71 (18)	9/16 (14)	7/16 (11)	0.43 (11)	0.776 oz 0.022 kg