

## Type 1133 – 3½", 4", 4½" & 6" Differential Gauge



- Large convoluted diaphragm actuator
- Stainless steel case
- Ranges from 1 IWD-25 IWD
- Static pressures up to 500 psi
- Aluminum<sup>(2)</sup> and stainless steel bodies<sup>(3)</sup>
- Buna-N Diaphragm & O-rings (others available)
- Superior magnets for smoother power motion
- Standard switches available
- 5-year warranty

The Type 1133 uses a convoluted-diaphragm to sense low inches of water differentials while ensuring no migration of the process media.

#### NOTES:

- (1) Other wetted parts include stainless steel spring, Teflon piston and ceramic magnet.
- (2) Aluminum bodies not to be used with water or corrosive applications.
- (3) Not for use with incompatible media.

#### PRODUCT SPECIFICATIONS

<b>Model Number:</b>	1133
<b>Accuracy (Ascending):</b>	±2%
<b>Migration:</b>	Zero
<b>Ranges:</b>	0-1 IWD to 25 IWD
<b>Maximum Static Pressure:</b>	500 psi (all)
<b>Process Temp.:</b>	175°F/80°C
<b>Actuator:</b>	Convoluted diaphragm
<b>Case Material:</b>	Stainless steel
<b>Dial Size:</b>	3½" (35), 4" (40), 4½" (45), 6" (60)
<b>Maximum Process Temp.:</b>	175°F/80°C
<b>Body Materials:</b>	Aluminum (F), stainless steel (S)
<b>O-Rings/Diaphragm:</b>	Buna-N
<b>Connection Size (Female):</b>	¼ NPT (25)
<b>Connection Location:</b>	In-Line (S), Lower (L), Back (B)
<b>Window:</b>	Glass

#### PRODUCT OPTIONS

<b>Switches<sup>(1)</sup>:</b>	Available
<b>¼ NPT adaptor:</b>	XGE Available
<b>Front Flange:</b>	XFF Available
<b>Viton Diaphragm &amp; O-Rings:</b>	XVD Available
<b>EPDM Diaphragm &amp; O-Rings:</b>	XEM Available
<b>Fill:</b>	
Glycerin	L N/A
Silicone	XGV N/A
<b>Window:</b>	
Plastic	XPD Available
<b>Explosion Proof<sup>(2)</sup>:</b>	XEK N/A
<b>Pipe Mounting Bracket:</b>	XTM In-line (only)

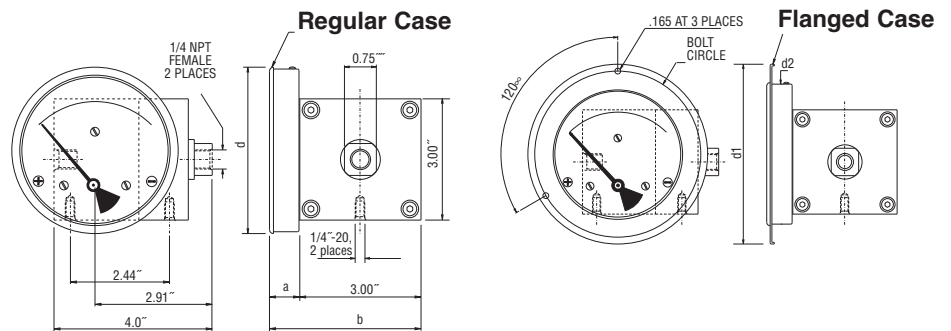
(1) Applicable to switches:  
 XV1 – 1 SPST with DIN plug  
 XV3 – 2 SPST with DIN plug  
 XV5 – 1 SPDT with DIN plug  
 XV7 – 2 SPDT with DIN plug  
 Adjustable from 30-100% of range  
 Preset 90% ascending  
 Switches are not available with back connection.

(2) Specify lower or back connection for gauge (not available in-line).

**HOW TO ORDER:**

Dial Size: 3½", 4", 4½" & 6"	35	1133	FD	25S	XXX	10 IWD
Case Type Number: 1133						
Body Material						
Connection Size: ¼ NPT (25)						
Connection Location: In-line (S), Lower (L), Back (B)						
Optional Features:						
Standard Pressure Range						

## Type 1133 – 3½", 4", 4½", & 6" Differential Gauge



**Type 1133 Dimension Drawing**

Dial Size	a	b	d	d <sup>1</sup>	d <sup>2</sup>	Bolt Circle
3.5"	0.75"	3.75"	3.25"	4.29"	3.22"	3.90"
4"	0.75"	3.75"	4.10"	5.15"	4.01"	4.75"
4.5"	0.75"	3.75"	4.75"	5.74"	4.60"	5.40"
6"	0.75"	3.75"	6.07"	7.12"	6.00"	6.75"

**Type 1133 – Standard Ranges**

in. H <sub>2</sub> O	0-1	0-2	0-5	0-10	0-25
mmH <sub>2</sub> O	0-25	0-50	0-125	0-250	0-600

### Ratings for Standard Switches:

#### SPST SWITCH

##### Specifications:

Contact Rating  
10 VA ac (rms) or dc (max)  
Switching Current  
0.5 Amp ac (rms) or dc (max)  
Switch Voltage  
100 Vac/Vdc (max)

#### SPDT SWITCH

##### Specifications:

Contact Rating  
3 VA ac (rms) or dc (max)  
Switching Current  
0.3 Amp ac (rms) or dc (max)  
Switch Voltage  
30 Vac/Vdc (max)