

SERIES WE34 | 3-WAY FLANGED STAINLESS STEEL BALL VALVE

FEATURES/BENEFITS

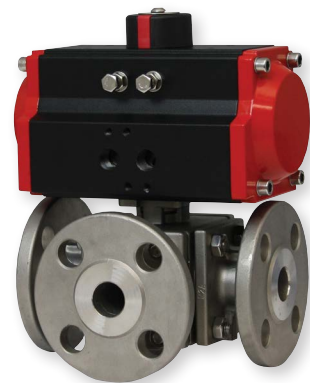
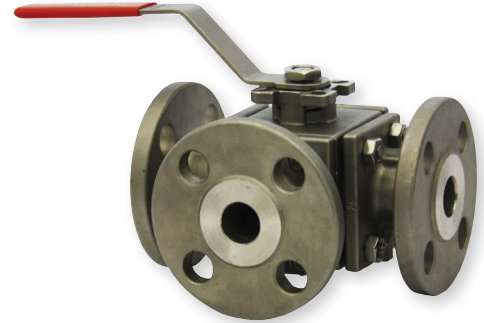
- Capable of being configured to fit any application
- Limit switches can be mounted to manual valves for remote monitoring
- Vented ball to reduce operating torque
- Weatherproof or explosion-proof electric actuators
- Double acting or spring return anodized aluminum pneumatic actuators
- Full port design reduces the pressure drop across the valve
- Eliminates threads and reduces installation and maintenance time

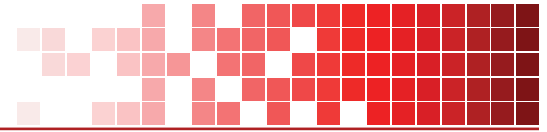
APPLICATIONS

- Gas or liquid flow control
- Ideal for quick bubble tight shut-off
- Mixing or diverting liquids and gases

DESCRIPTION

The **SERIES WE34** incorporates a full port 3-way flanged SS ball valve for great flow rates with minimal pressure drop. The valve features a blowout-proof stem for added safety, reinforced PTFE seats and seals for longer life, and a 316 SS (ASTM CF8M) ball for better performance. Actuators are direct mounted creating a compact assembly for tight spaces. Limit switches are able to be mounted directly to the valves allowing for remote position indication. The Series WE34 can be configured with either an electric or pneumatic actuator. Electric actuators are available in weatherproof or explosion-proof, a variety of supply voltages and two-position or modulating control. Two-position actuators use the supply voltage to drive the valve open or closed, while the modulating actuator accepts a 4 to 20 mA input for valve positioning. Actuators feature thermal overload protection and permanently lubricated gear train. The pneumatic double acting actuator uses an air supply to drive the valve open and closed. The actuator has two supply ports, with one driving the valve open and the other driving the valve closed. Spring return pneumatic actuators use the air supply to open the valve, and internally loaded springs return the valve to the closed position. Also available is the SN solenoid valve to electrically switch the air supply pressure between the air supply ports for opening and closing the valve. Actuators are constructed of anodized and epoxy coated aluminum for years of corrosion free service.





VALVE SPECIFICATIONS

Service	Compatible liquids and gases.
Body	3-piece.
Line Sizes	1/2 to 2".
End Connections	Tri-clamp ends.
Pressure Limits	20" Hg to 1000 psi (-0.7 to 69 bar) up to 250°F.
Wetted Materials	Body and ball: 316 SS (CF8M); Stem: 316 SS; Seat: RTFE/PTFE; Seal, sasher and packing: PTFE.
Temperature Limits	-20 to 392°F (-29 to 200°C).
Other Materials	O-ring: Fluoroelastomer; Handle: 304 SS; Washer: 301 SS; Stem nut, locking device, gland ring: 304 SS; Handle sleeve: PVC.

PNEUMATIC ACTUATOR ("DA" & "SR" SERIES) SPECIFICATIONS

Type	DA series is double acting and SR series is spring return (rack and pinion).
Normal Supply Pressure	DA: 40 to 115 psi (2.7 to 7.9 bar); SR: 80 psi (5.5 bar).
Maximum Supply Pressure	120 psi (8.6 bar).
Air Connections	DA01: 1/8" female NPT; DA02 to DA04: 1/4" female NPT; SR02 to SR07: 1/4" female NPT.
Housing Material	Anodized aluminum body and epoxy coated aluminum end caps.
Temperature Limits	-40 to 176°F (-40 to 80°C).
Accessory Mounting	NAMUR standard.

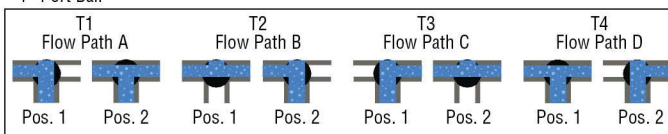
ELECTRIC ACTUATOR ("TD" & "MD" SERIES) SPECIFICATIONS

Power Requirements	110 VAC, 220 VAC, 24 VAC or 24 VDC (MD models not available in 24 VDC).
Power Consumption	See instruction manual.
Cycle Time (per 90°)	TD01: 4 s; MD01: 10 s; TD02 and MD02: 20 s; TD03 and MD03: 30 s.
Duty Rating	85%.
Enclosure Rating	NEMA 4X (IP67).
Housing Material	Powder coated aluminum.
Temperature Limits	-22 to 140°F (-30 to 60°C).
Electrical Connection	1/2" female NPT.
Modulating Input	4 to 20 mA.
Standard Features	Manual override, position indicator, and TD models come with two limit switches.

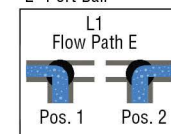
ELECTRIC ACTUATOR ("TI" & "MI" SERIES) SPECIFICATIONS

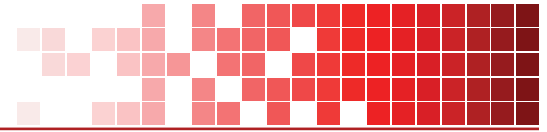
Power Requirements	110 VAC, 220 VAC, 24 VAC or 24 VDC.
Power Consumption	See instruction manual.
Cycle Time (per 90°)	See instruction manual.
Duty Rating	See instruction manual.
Enclosure Rating	NEMA 7, designed to meet hazardous locations: Class I, Group C & D; Class II, Group E, F & G; Division I & II.
Housing Material	Powder coated aluminum.
Temperature Limits	-40 to 140°F (-40 to 60°C).
Electrical Connection	1/2" female NPT.
Modulating Input	4 to 20 mA.
Standard Features	Position indicator and two limit switches.

"T" Port Ball

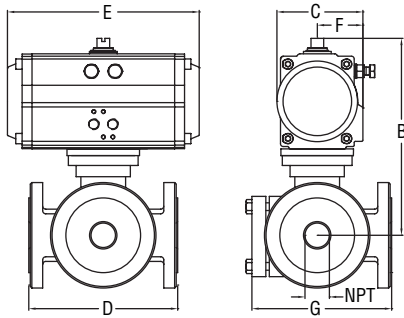


"L" Port Ball





W/ PNEUMATIC ACTUATOR



DOUBLE ACTING PNEUMATIC ACTUATOR							
NPT	1/2"	3/4"	1"	1-1/2"	2"	2-1/2"	3"
B	6-3/8"	6-5/8"	7-5/8"	11"	11-3/4"	12-7/8"	14-1/2"
	163 mm	167 mm	193 mm	280 mm	297 mm	327 mm	367 mm
C	2-3/4"	2-3/4"	3-1/4"	4"	4-1/4"	4-3/4"	5-3/8"
	71 mm	71 mm	82 mm	101 mm	109 mm	122 mm	138 mm
D	5-7/8"	6"	6-5/8"	8-3/4"	10"	11-3/4"	12"
	148 mm	153 mm	168 mm	221 mm	254 mm	300 mm	305 mm
E	5-3/4"	5-3/4"	6-5/8"	8-1/4"	9-1/2"	10-7/8"	13-1/8"
	145 mm	145 mm	169 mm	209 mm	242 mm	275 mm	332 mm
F	1-5/8"	1-5/8"	1-3/4"	2-1/8"	2-1/4"	2-1/2"	2-3/4"
	41 mm	41 mm	46 mm	55 mm	58 mm	64 mm	70 mm

SPRING RETURN PNEUMATIC ACTUATOR							
NPT	1/2"	3/4"	1"	1-1/2"	2"	2-1/2"	3"
B	9"	9-1/4"	8-3/8"	11-1/2"	12-1/4"	13-3/4"	15-1/8"
	230 mm	234 mm	213 mm	292 mm	310 mm	349 mm	384 mm
C	3-1/4"	3-1/4"	4"	4-1/4"	4-3/4"	5-3/8"	6"
	82 mm	82 mm	101 mm	109 mm	122 mm	138 mm	153 mm
D	5-7/8"	6"	6-5/8"	8-3/4"	10"	11-3/4"	12"
	148 mm	153 mm	168 mm	221 mm	254 mm	300 mm	305 mm
E	6-5/8"	6-5/8"	8-1/4"	9-1/2"	10-7/8"	13-1/8"	15-1/8"
	169 mm	169 mm	209 mm	242 mm	275 mm	332 mm	385 mm
F	1-3/4"	1-3/4"	2-1/8"	2-1/4"	2-1/2"	2-3/4"	3"
	46 mm	46 mm	55 mm	58 mm	64 mm	70 mm	77 mm

HOW TO ORDER – HAND OPERATED & PNEUMATIC ACTUATOR

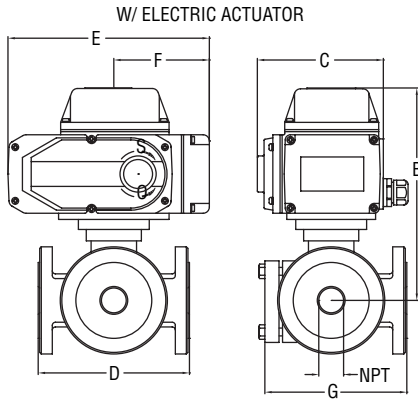
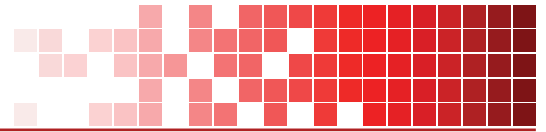
Use the **bold** characters from the chart below to construct a product code.

<p>SERIES</p> <p>WE34 - 316 SS 3-way flanged</p> <p>SIZE</p> <p>-C - 1/2" -G - 1-1/2"</p> <p>-D - 3/4" -H - 2"</p> <p>-E - 1" -I - 2-1/2"</p> <p> -J - 3"</p> <p>ACTUATOR</p> <p>-HD00 - Hand operated</p> <p>-DA02 - Double acting (1/2" to 3/4")</p> <p>-DA03 - Double acting (1")</p> <p>-DA05 - Double acting (1-1/2")</p> <p>-DA06 - Double acting (2")</p> <p>-DA07 - Double acting (2-1/2")</p> <p>-DA08 - Double acting (3")</p> <p>VALVE POSITION</p> <p>-T1 - Flow path A</p> <p>-T2 - Flow path B</p> <p>-T3 - Flow path C</p> <p>-T4 - Flow path D</p> <p>-L1 - Flow path E</p>	<p>WE34 -X X -X -X X X</p>	<p>POSITIONER AND SWITCHES</p> <p>-00 - 42AD0 exp limit switch</p> <p>-01 - 45VD0 exp position transmitter</p> <p>-02 - 42AD0-B ATEX limit switch</p> <p>-03 - 42AD0-IE IECEx limit switch</p> <p>-04 - QV-210101 poly limit switch</p> <p>-06 - VPS and P1 prox switch</p> <p>-07 - 265ER-D5 positioner</p> <p>-08 - 265ER-D5 positioner</p> <p>-09 - 285ER-D5 smart positioner</p> <p>SOLENOID VOLTAGE</p> <p>-N - No Solenoid -C - 24 VAC</p> <p>-A - 110 VAC -D - 24 VDC</p> <p>-B - 220 VAC -E - 12 VDC</p> <p>SOLENOID</p> <p>-N - No solenoid</p> <p>-A - NEMA 4X NAMUR solenoid</p>
---	---	--

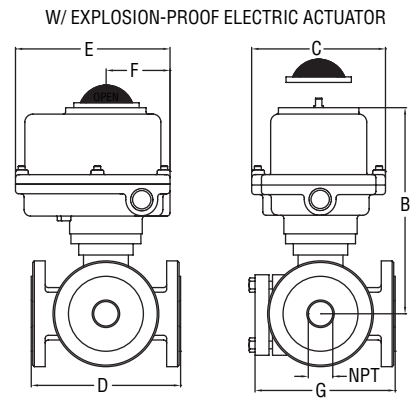
ACCESSORIES

Model	Description
R2-2120	Air regulator
AFR4	Air filter regulator 0 to 120 psi
VB-01	Volume booster





ELECTRIC ACTUATOR							
NPT	1/2"	3/4"	1"	1-1/2"	2"	2-1/2"	3"
B	11-1/8"	11-3/8"	9-3/4"	13-3/4"	13-7/8"	14-5/8"	16"
	284 mm	288 mm	247 mm	348 mm	353 mm	370 mm	407 mm
C	9-3/8"	9-3/8"	9-3/8"	8-1/2"	8-1/2"	8-1/2"	10"
	239 mm	239 mm	239 mm	216 mm	216 mm	216 mm	254 mm
D	5-7/8"	6"	6-5/8"	8-3/4"	10"	11-3/4"	12"
	148 mm	153 mm	168 mm	221 mm	254 mm	300 mm	305 mm
E	8-1/2"	8-1/2"	8-1/2"	8-1/2"	8-1/2"	8-1/2"	10"
	217 mm	217 mm	217 mm	216 mm	216 mm	216 mm	254 mm
F	5"	5"	5"	5-3/8"	5-3/8"	5-3/8"	6-1/4"
	126 mm	126 mm	126 mm	136 mm	136 mm	136 mm	159 mm



EXPLOSION-PROOF ELECTRIC ACTUATOR							
NPT	1/2"	3/4"	1"	1-1/2"	2"	2-1/2"	3"
B	8"	8-1/8"	8-5/8"	10-1/4"	12-3/8"	14-5/8"	15-1/4"
	204 mm	208 mm	218 mm	260 mm	315 mm	370 mm	388 mm
C	4-1/2"	4-1/2"	4-1/2"	4-3/4"	4-3/4"	6-1/4"	6-1/4"
	113 mm	113 mm	113 mm	121 mm	121 mm	158 mm	158 mm
D	5-7/8"	6"	6-5/8"	8-3/4"	10"	11-3/4"	12"
	148 mm	153 mm	168 mm	221 mm	254 mm	300 mm	305 mm
E	6-1/4"	6-1/4"	6-1/4"	7-3/4"	7-3/4"	10"	10"
	160 mm	160 mm	160 mm	196 mm	196 mm	255 mm	255 mm
F	3"	3"	3"	3-7/8"	3-7/8"	5-1/4"	5-1/4"
	77 mm	77 mm	77 mm	98 mm	98 mm	134 mm	134 mm

HOW TO ORDER – HAND OPERATED & PNEUMATIC ACTUATOR

Use the **bold** characters from the chart below to construct a product code.

WE34 -X X -X -X

SERIES _____

WE34 - 316 SS 3-way flanged

SIZE _____

-C - 1/2" -H - 2"
 -D - 3/4" -I - 2-1/2"
 -E - 1" -J - 3"
 -G - 1-1/2"

ACTUATOR _____

-HD00 - hand operated
 -DA02 - double acting (1/2" to 3/4")
 -DA03 - double acting (1")
 -DA05 - double acting (1-1/2")
 -DA06 - double acting (2")
 -DA07 - double acting (2-1/2")
 -DA08 - double acting (3")

-SR02 - spring return (1/2" to 3/4")
 -SR03 - spring return (1")
 -SR05 - spring return (1-1/2")
 -SR06 - spring return (2")
 -SR07 - spring return (2-1/2")
 -SR08 - spring return (3")

ACTUATOR VOLTAGE

-A - 110 VAC
 -B - 220 VAC
 -C - 24 VAC
 -D - 24 VDC

VALVE POSITION

-T1 - Flow path A
 -T2 - Flow path B
 -T3 - Flow path C
 -T4 - Flow path D
 -L1 - Flow path E

Important Notice: Dwyer Instruments, Inc. reserves the right to make changes to or discontinue any product or service identified in this publication without notice. Dwyer advises its customers to obtain the latest version of the relevant information to verify, before placing any orders, that the information being relied upon is current.

